



Movinor[®] Low Voltage AC Servomotors

Features

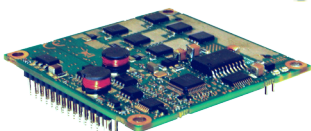
- Ultra compact size
- High torque
- In perfect association with the INFRANOR 60VDC servo drives

Power

- Stall torque 0.10 to 5.3 Nm / Nominal torque 0.1 to 4.6 Nm
- Sizes 37, 55, 86 & 98 mm

Executions

- Wide range of standard models
- Customized versions
- CE and UL certifications
- ATEX versions



Movinor® low voltage servomotors, T range

The brushless synchronous servomotors with conventional 6-pole stator are completely new design and build. The modern concept of the magnetic circuit, winding and isolation creates torque reserves and increases the lifetime considerably. This concept offers a wide range of options, such as additional inertia. It is also possible to request special customizations for this motor range.

Movinor® low voltage servomotors, N range

This motor range with stators manufactured in pole winding technology is extremely compact. An optimized mechanical construction and stronger magnets result in an increase of power-density of 40% compared to the T motor range, depending on frame size and motor length. The choice of options is wide, however less than for the T motor range.

Technical data

Type	Winding B (48VDC)				Length K	
	Stall torque	Nominal speed	Stall current	Maximal speed	without brake	with brake
	M_o	n_{nom}	I_o	n_{max}		
	[Nm]	[rpm]	[Arms]	[rpm]	[mm]	[mm]
T037-1-B	0.10	4 000	1.95	9 430	81	111
T037-2-B	0.20	4 000	3.00	7 410	96	126
T037-3-B	0.30	4 000	3.80	6 200	111	141
T055-1-B	0.20	3 000	3.10	7 530	98	131
T055-2-B	0.40	3 000	4.30	5 310	113	146
T055-3-B	0.60	3 000	6.30	5 170	128	161
T055-4-B	0.80	3 000	6.90	4 280	143	176
T086-1-B	0.65	3 000	7.10	5 370	109	142
T086-2-B	1.30	3 000	10.50	3 980	127	160
T086-3-B	2.50	3 000	16.20	3 410	163	196
T086-4-B	3.00	3 000	25.70	4 240	181	214
T098-1-B	2.60	3 000	19.30	3 660	146	178
T098-2-B	5.30	3 000	37.30	3 480	176	208
N055-1-B	0.28	3 000	3.50	6 520	67	105
N055-2-B	0.54	3 000	6.00	5 930	82	120
N055-3-B	0.75	3 000	7.70	5 390	97	135
N055-4-B	0.95	3 000	7.30	4 180	112	150
N086-1-B	1.15	3 000	11.30	5 450	82	120

Standard version

- Resolver feedback
- Shaft without keyway
- Protection IP-65 (T037: IP-64)
- Angled connectors (flying leads for T037 & T098-2-B)
- PTC sensor
- Winding 48VDC

Options

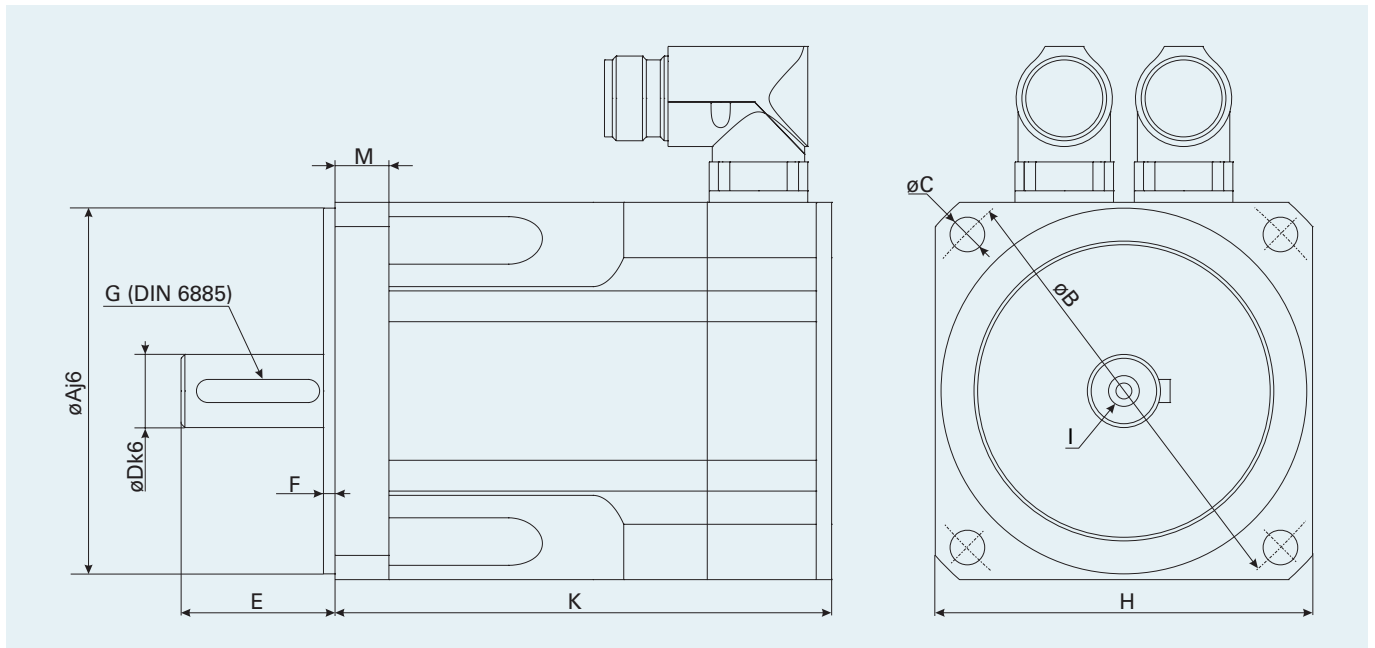
- Various encoders
- Shaft with keyway
- Protection IP-67 (T037: IP-65)
IP-69 possible
- Shaft seal
- Straight or rotatable connectors
- Rotatable double-receptacle Ytec connectors also for T037
- Direct cable output
- NTC, PT1000 sensor
- Additional inertia (T range)
- ATEX - UL

Customized versions

- Shafts
- Flanges, housings
- Windings
- Connections
- Execution according to customer's specifications

The superior power density, the excellent accelerating, the compactness and the lightness ability make these motors perfectly suited for high-dynamic embedded applications in combination with the INFRANOR XtrapulsEasy 60VDC servo drive range.

Mechanical dimensions



Dimensions [mm]	Ø Aj6	Ø B	Ø C	Ø Dk6	E	F	G	H	I	M
T037	25	32	M3x7.0	6 (h6)	16	2.0	2x2x10	37	-	-
T055	40	63	4x5.8	9	24	2.5	3x3x18	55	M3x7(opt)	7
T086	80	100	4x7.0	14	30	3.0	5x5x22	86	M4x10	11
T098	95	115	4x9.0	19	40	3.0	6x6x32	98	M5x14	14
N055	40	63	4x5.8	9	24	2.5	3x3x18	55	M3x7(opt)	7
N086	80	100	4x7.0	14	30	3.0	5x5x22	86	M4x10	11

Brakes

Motor type	T037	T088	T098	N055	N086
Torque [Nm]	0.4	4.5	9.0	2.0	4.5
Supply [VDC]	24 (+6% - 10%)				

INFRANOR XtrapulsEasy 60VDC servo drive



The 60VDC servo drive XtrapulsEasy is a performance, extremely compact and easy-to-use device dedicated to applications operating with a 24VDC to 60VDC voltage. Thanks to its cost-effectiveness and its optimized functions, it focuses on applications where price is a determining factor. It is particularly suitable for embedded applications.

Rated current: 13, 25 & 35A / Peak current: 45, 60 & 120A

Infranor product range

Drives

Standard drives



Customized drives



Drive applications

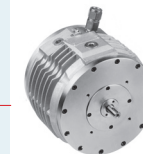


Motors

Standard motors



Customized motors



Motor applications

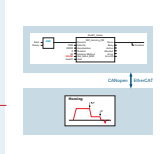


Services

Standard services



User-specific services



Global solutions



Infranor Group

Infranor creates added value for its customers by providing tailor-made motion solutions.

Based on strong working relationships, Infranor offers extensive market know-how, comprehensive engineering skills and a wide range of high-quality products leading to productivity gains and therefore to comparative advantages for its customers in their respective markets.

Contact

NORDIC SERVO

YOUR PARTNER IN AUTOMATION

Nordic Servo AB
Grustagsvägen 8
S-138 40 Älta, Sweden
Office: +46 8 86 87 80
E-mail: sales@nordicservo.com

Infranor worldwide

Switzerland
Germany
France
Italy
Benelux
UK
Spain
USA
China

Other representations:
Denmark, Poland, Slovenia,
Israel, India.



www.infranor.com